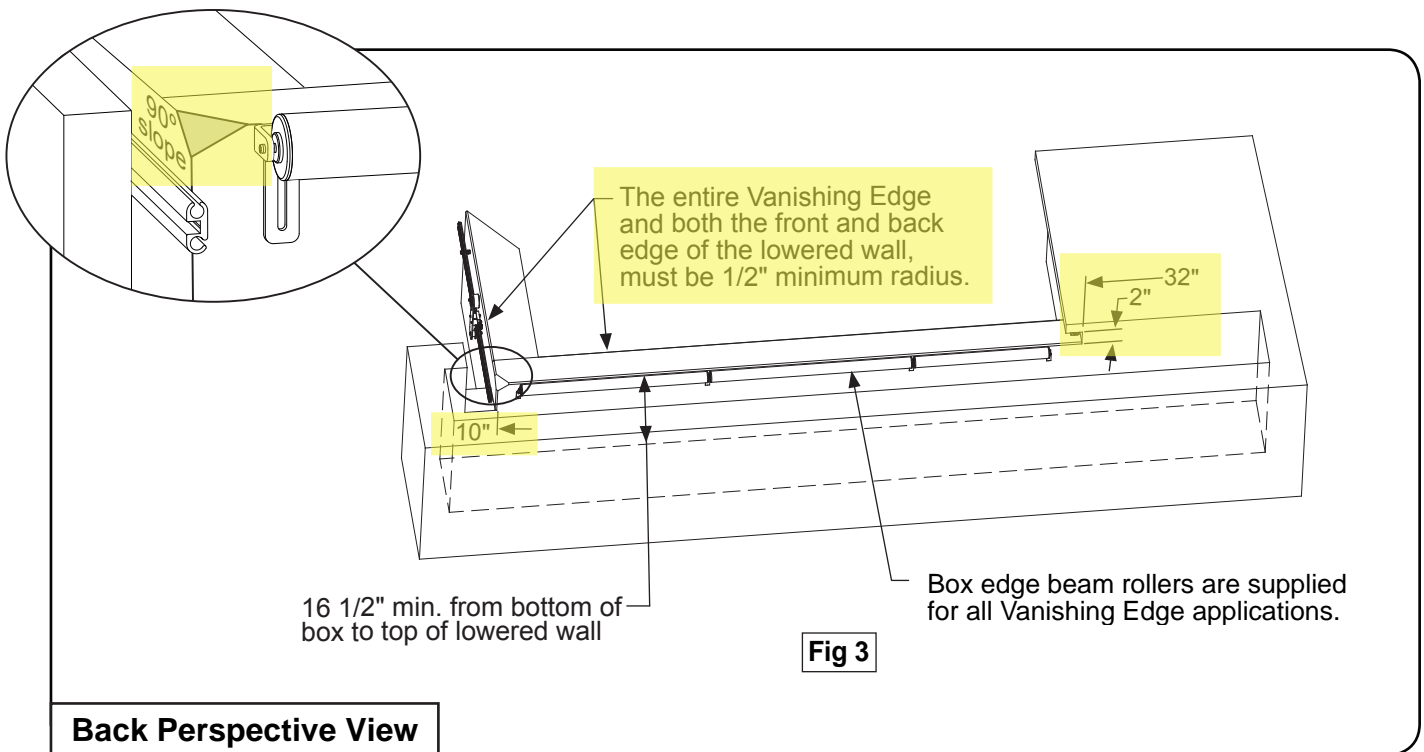
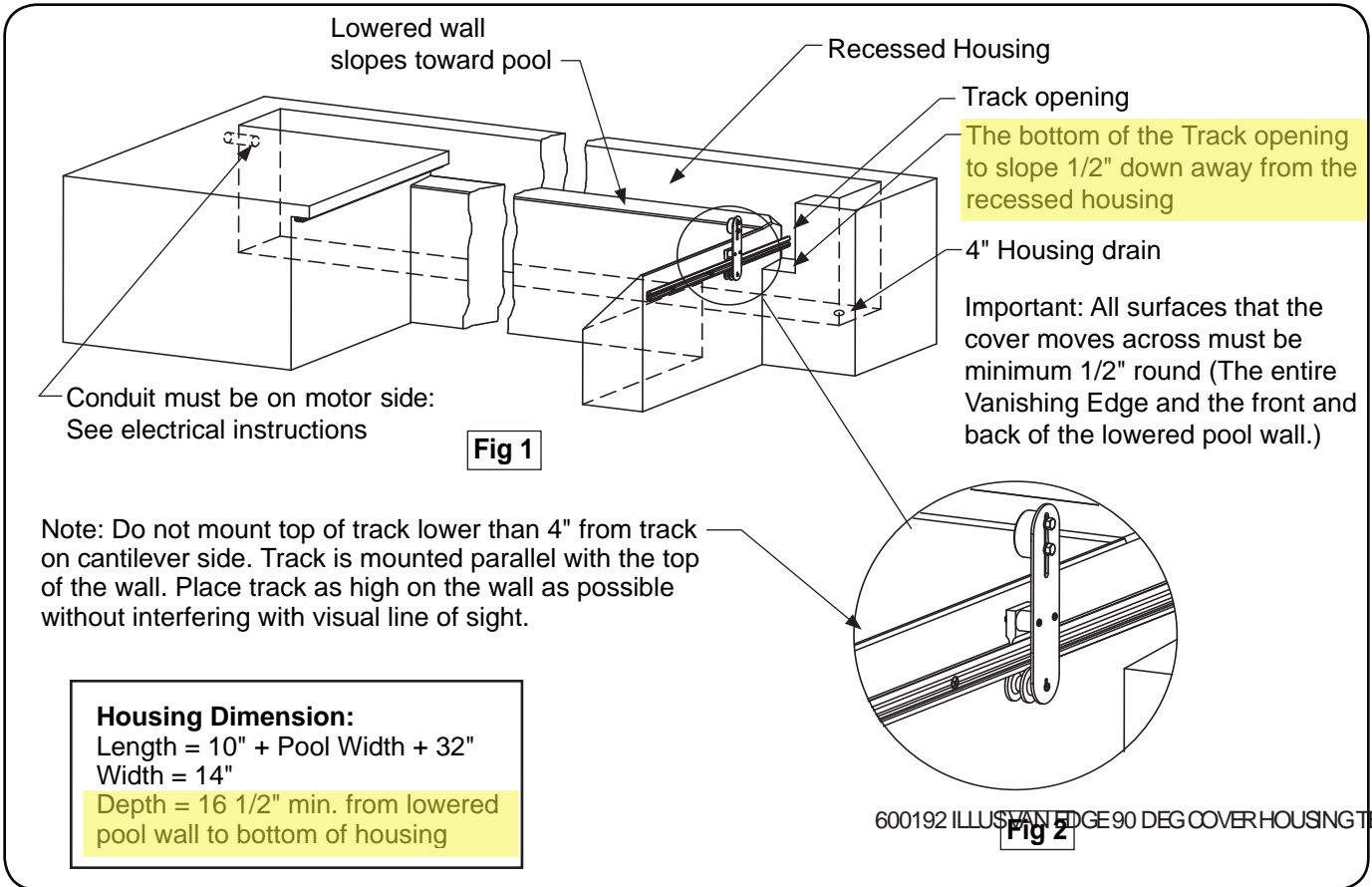
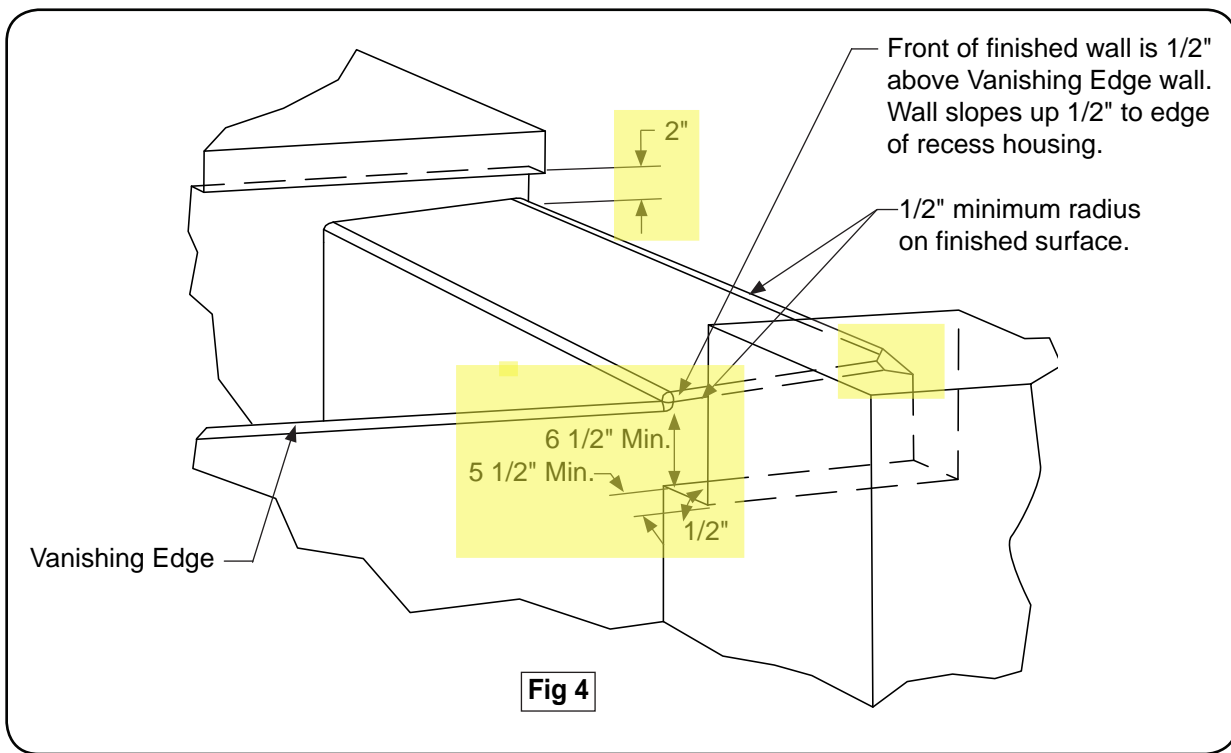


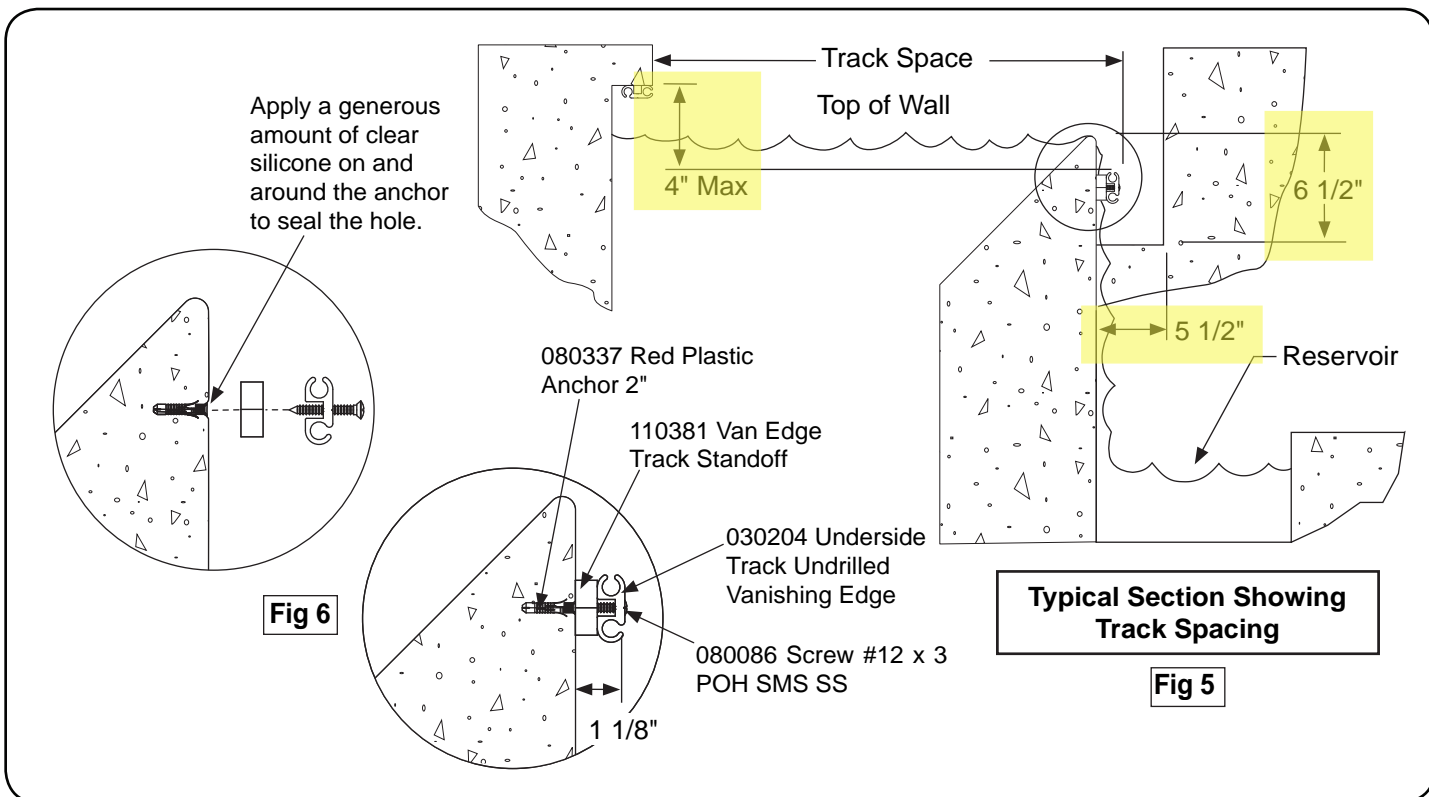
Installation Instructions
**Vanishing Edge 90 Degree
Recessed Housing Terms and Details**



Vanishing Edge 90 Degree (Cont'd) Recessed Housing Terms and Details



Lowered Pool Wall / Track Opening Detail



Vanishing Edge 45 Degree Recessed Housing Terms and Details

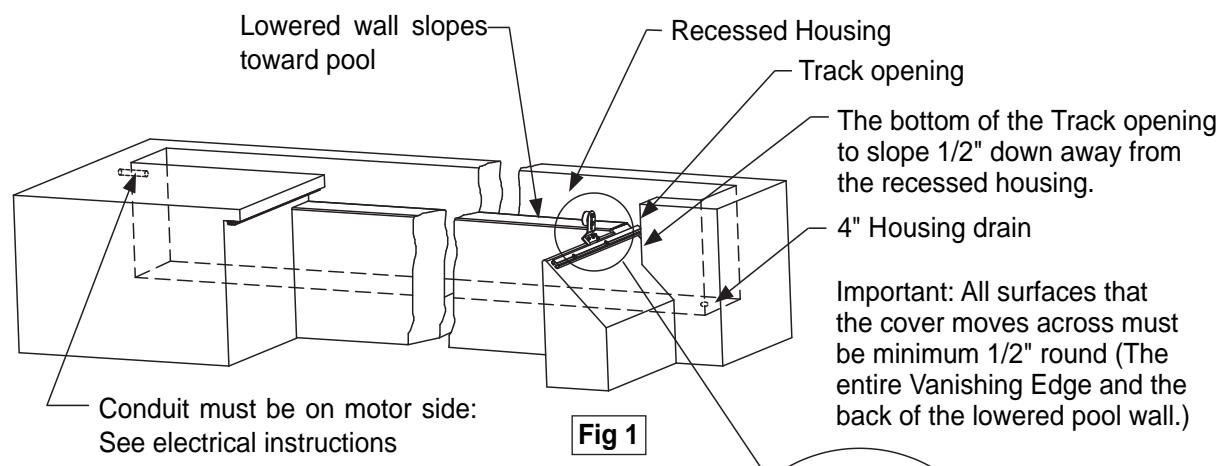


Fig 1

Important: All surfaces that the cover moves across must be minimum 1/2" round (The entire Vanishing Edge and the back of the lowered pool wall.)

Note: Do not mount top of track lower than 4" from track on cantilever side. Track is mounted parallel with the top of the wall. Place track as high on the wall as possible without interfering with visual line of sight.

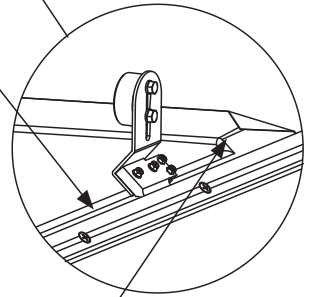


Fig 2

Housing Dimension:
 Length = 10" + Pool Width + 32"
 Width = 14"
 Depth = 16 1/2" min. from lowered pool wall to bottom of housing

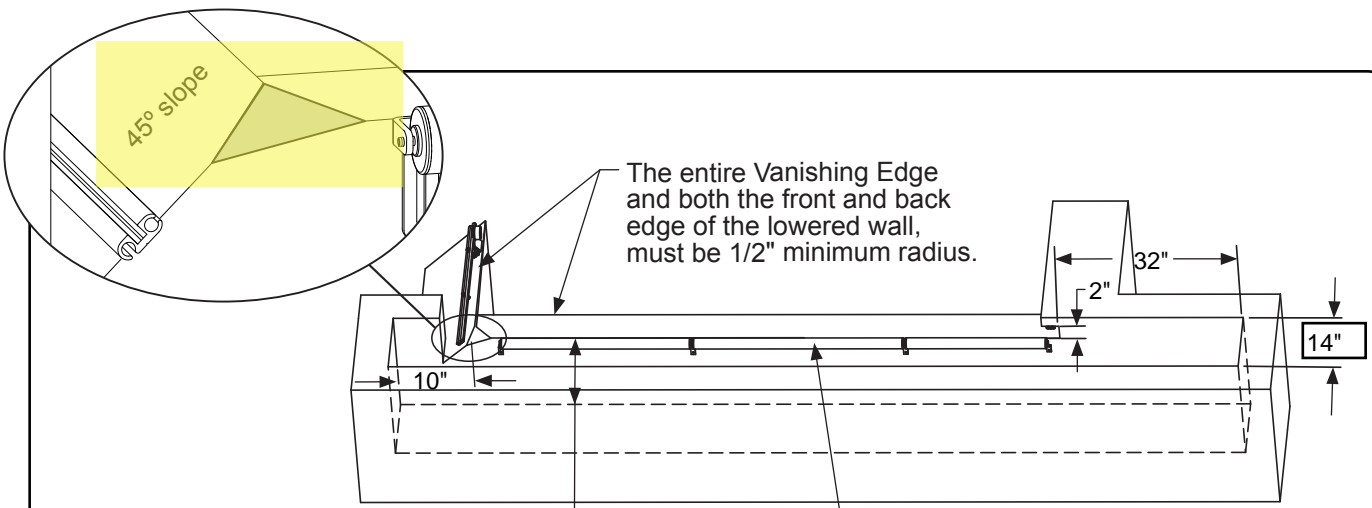
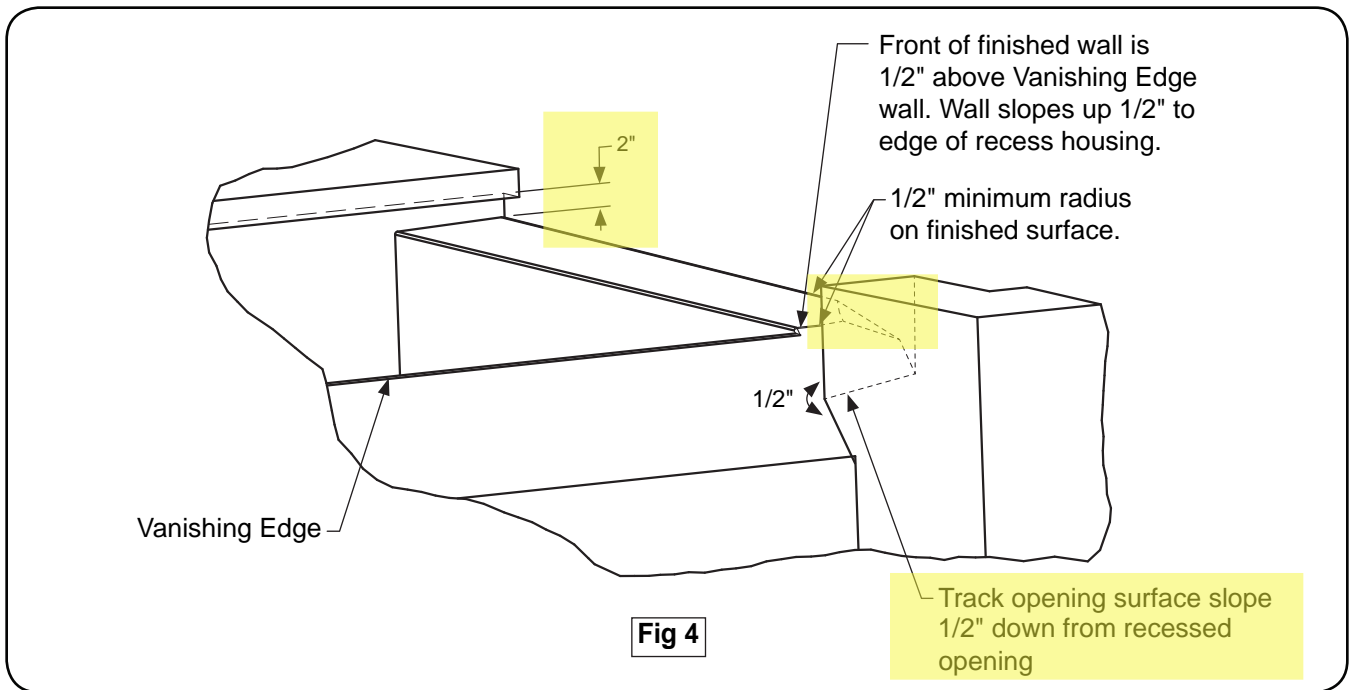


Fig 3

Box edge beam rollers are supplied for all Vanishing Edge applications.

Back Perspective View

Vanishing Edge 45 Degree (Cont'd) Recessed Housing Terms and Details



Lowered Pool Wall / Track Opening Detail

